



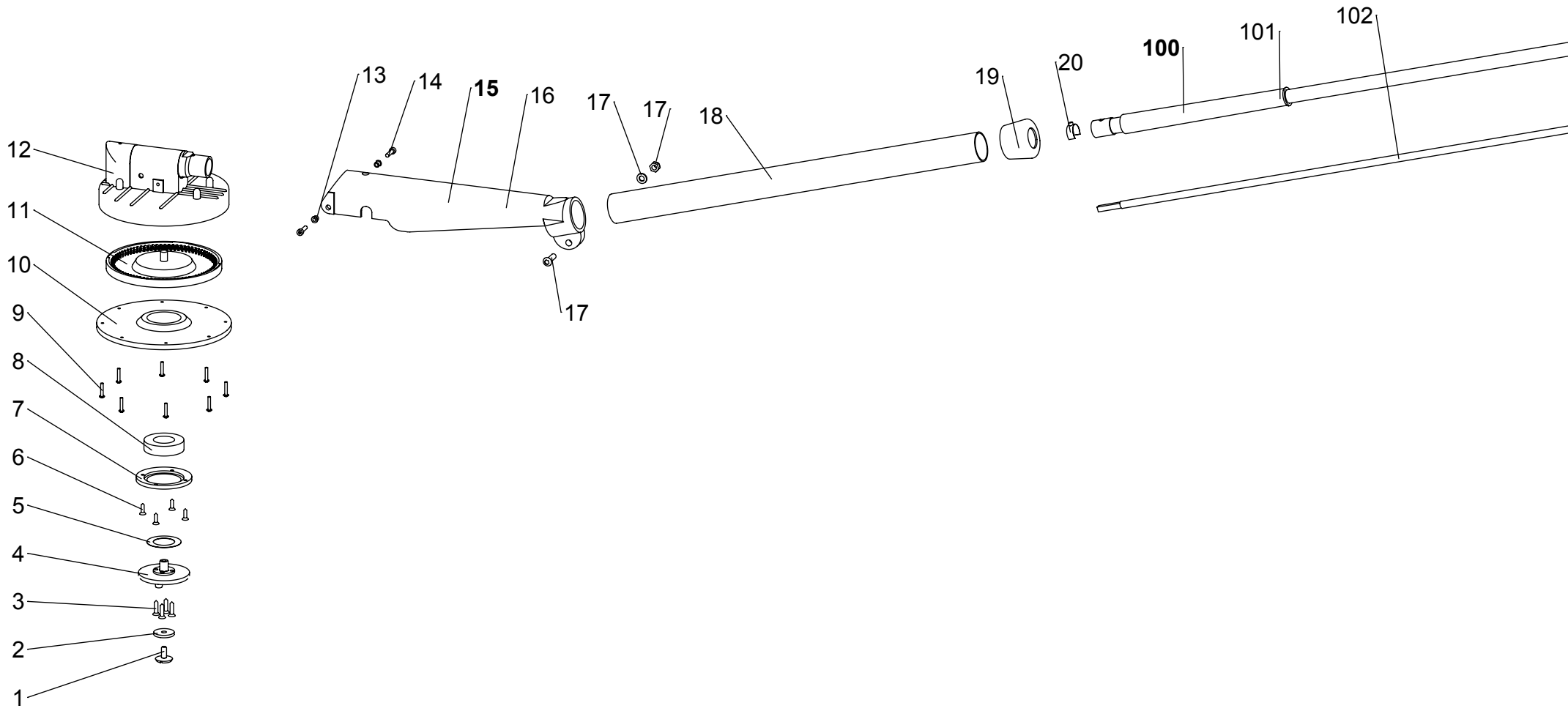
ROKAMAT DRY Plaster Finishing Machine - 30000

2015

Pos-No.	Order-No.	Item	EAN-No.
1	20021	Screw	EAN 4035834 20021 6
2	10014	Rubber washer 6x24x3	EAN 4035834 10014 1
3	20020	Screw 4,2x19	EAN 4035834 20020 9
4	20019	Driver disc	EAN 4035834 20019 3
5	30801	Disc 40,3x25,1x0,3	EAN 4035834 30801 1
6	20006	Screw 3,5x13	EAN 4035834 20006 3
7	30802	Clamp ring	EAN 4035834 30802 8
8	30800	Bearing 25x47x12	EAN 4035834 30800 4
9	30700	Screw K30x16	EAN 4035834 30700 7
10	30600	Cover	EAN 4035834 30600 0
11	30501	Pinion \varnothing 135	EAN 4035834 30501 0
12	31401	Mitre-gear (incl. Pos. 14)	EAN 4035834 31401 2
13	30101	Brass socket	EAN 4035834 30101 2
14	30102	Screw K35x14	EAN 4035834 30102 9
15	30008	Connection tube (incl. Pos. 13, 16-19)	EAN 4035834 30008 4
16	30002	Connection piece	EAN 4035834 30002 2
17	30007	Screw Set	EAN 4035834 30007 7
18	30001	Plastic tube	EAN 4035834 30001 5
19	30005	Tube cap	EAN 4035834 30005 3
-	37900	Plastic case	EAN 4035834 37900 4

Flexible drive shaft

20	20033	Locking spring	EAN 4035834 20033 9
100	32300	Flexible drive shaft 2,0m (incl. Pos. 101+102+20)	EAN 4035834 32300 7
101	32100	Protective hose 2,0m	EAN 4035834 32100 3
102	32200	Shaft core 2,0m	EAN 4035834 32200 0





ROKAMAT 900W/230V Motor

2015

Pos-No.	Order-No.	Item	EAN-No.
1	07601	Hex nut	EAN 4035834 07601 9
2	07602	Crown wheel and pinion	EAN 4035834 07602 6
3	07603	Bearing 8x22x7	EAN 4035834 07603 3
4	07604	Disc 8,05x17x0,4	EAN 4035834 07604 0
5	07605	Fan with basket guard	EAN 4035834 07605 7
6	07606	Armature	EAN 4035834 07606 4
7	07607	Bearing 6x19x6	EAN 4035834 07607 1
8	07608	Rubber bush	EAN 4035834 07608 8
9	07609	Press-button	EAN 4035834 07609 5
10	07610	Compression spring	EAN 4035834 07610 1
11	07611	O-ring	EAN 4035834 07611 8
12	07612	Bolt	EAN 4035834 07612 5
13	07613	Screw M5x16	EAN 4035834 07613 2
14	07614	Gear casing	EAN 4035834 07614 9
15	07615	Screw 4x16	EAN 4035834 07615 6
16	07616	Friction disc kit	EAN 4035834 07616 3
17	07617	Disc 10,2x14,8x0,2	EAN 4035834 07617 0
18	07618	Disc 10,2x14,8x0,1	EAN 4035834 07618 7
19	07619	Disc 10,2x14,8x0,5	EAN 4035834 07619 4
24	07624	Flat sealing	EAN 4035834 07624 8
25	07625	Flange	EAN 4035834 07625 5
27	07627	Spindle	EAN 4035834 07627 9
28	07628	Safety coupling with pinion	EAN 4035834 07628 6
29	07629	Motor housing	EAN 4035834 07629 3
30	07630	Carbon brushes with holder (pair)	EAN 4035834 07630 9
31	07631	Carbon brushes without holder (pair)	EAN 4035834 07631 6
32	07632	Switch bar	EAN 4035834 07632 3
33	07633	Switch slide	EAN 4035834 07633 0
34	07634	Cover	EAN 4035834 07634 7
36	07636	Cable clamp	EAN 4035834 07636 1
37	07637	Screw 4x16	EAN 4035834 07637 8
38	07638	Cable grommet	EAN 4035834 07638 5
40	07640	Air lead disc	EAN 4035834 07640 8
41	07641	Winding	EAN 4035834 07641 5
51	07651	Electro unit	EAN 4035834 07651 4
52	07652	Switch	EAN 4035834 07652 1
53	07653	Casing	EAN 4035834 07653 8
54	07654	Screw 4x25	EAN 4035834 07654 5
55	07655	Cable	EAN 4035834 07655 2
56	07656	Disc 7,05x19,5x0,2	EAN 4035834 07656 9
57	07657	Disc 10,2x14,8x1,0	EAN 4035834 07657 6
58	07658	Gearing cap	EAN 4035834 07658 3
59	07659	Screw set	EAN 4035834 07659 0
60	07660	Shoulder strap	EAN 4035834 07660 6
62	07662	Shaft adapter	EAN 4035834 07662 0
95	07695	Yoke	EAN 4035834 07695 8
96	07696	Screw set	EAN 4035834 07696 5
97	07697	Screw set	EAN 4035834 07697 2

Exchange-motor (on request)



ROKAMAT Motor

